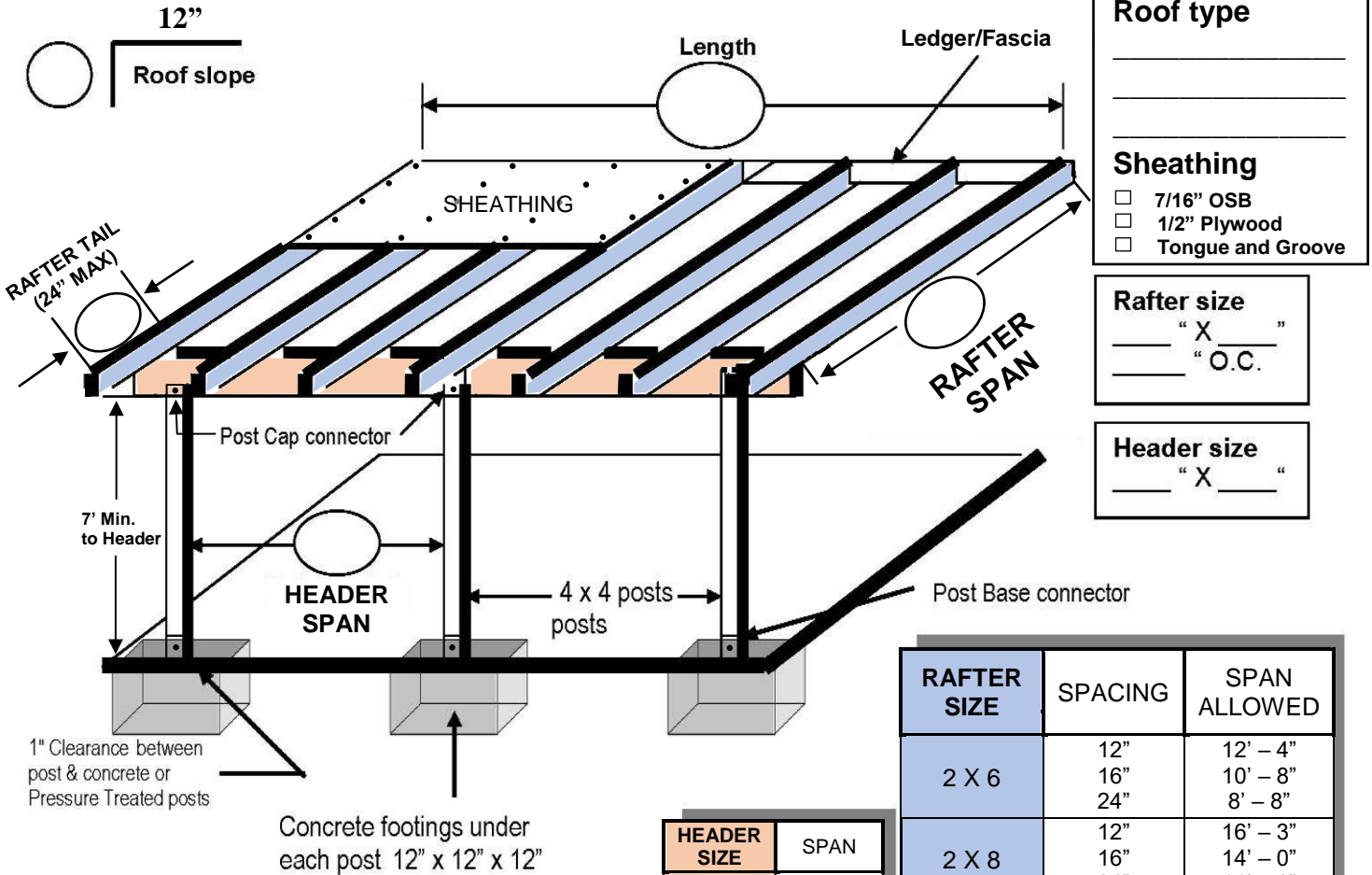


City of Sanger, California
 Community Development Department
 Building and Safety Division
 1700 7th Street, Sanger, CA 93657
 Phone: (559) 876-6300 Ext. 1570
 www.ci.sanger.ca.us

STANDARD PATIO PLAN

Project address: _____



Roof type

Sheathing

7/16" OSB

1/2" Plywood

Tongue and Groove

Rafter size

___ " X ___ "

___ " O.C.

Header size

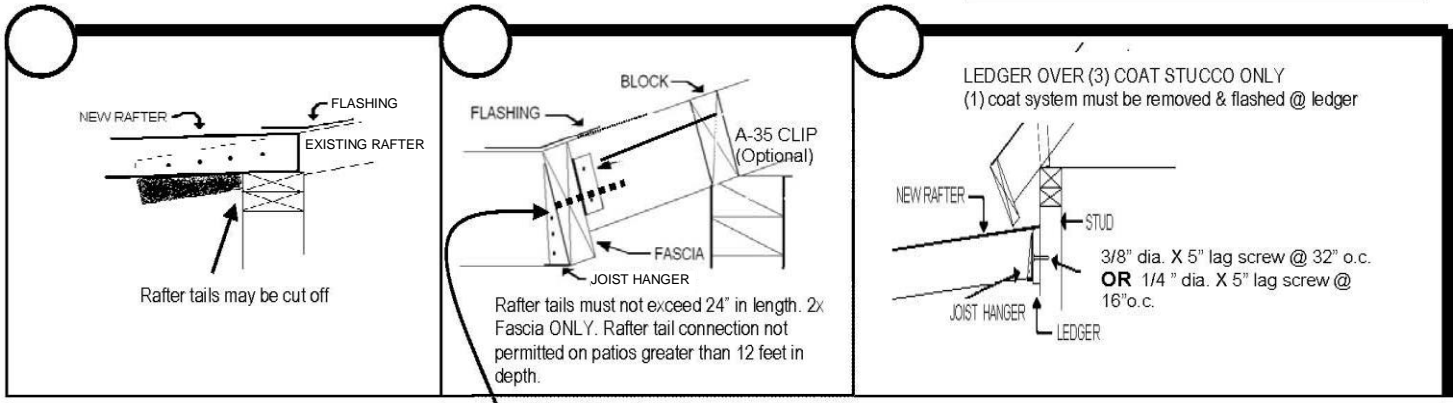
___ " X ___ "

RAFTER SIZE	SPACING	SPAN ALLOWED
2 X 6	12"	12' - 4"
	16"	10' - 8"
	24"	8' - 8"
2 X 8	12"	16' - 3"
	16"	14' - 0"
	24"	11' - 6"
2 X 10	12"	20' - 8"
	16"	17' - 11"
	24"	14' - 8"
2 X 12	12"	25' - 2"
	16"	21' - 9"
	24"	17' - 9"

HEADER SIZE	SPAN
4 X 6	6 FT
4 X 8	8 FT
4 X 10	10 FT
4 X 12	12 FT

Approved methods of attachments

Check one



This design not approved to be enclosed.
 * Exposed plywood shall be CCX or better.